

4

3

2

1

D

D

C

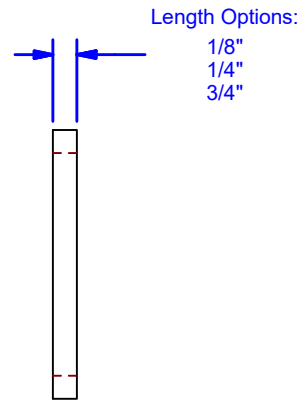
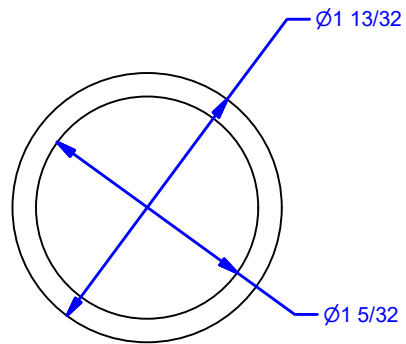
C

B

B

A

A



Works with either 1850 or 2001 series locks.

DWG #: 1850
 DRAWN: BCM 2/5/2009
 SHEET #16
 File: 0000184.idw

ALL DIMENSIONS IN INCHES

THE INFORMATION CONTAINED IN THIS DRAWING IS THE SOLE PROPERTY OF CROWN INDUSTRIAL. ANY REPRODUCTION IN PART OR AS A WHOLE WITHOUT THE WRITTEN PERMISSION OF CROWN INDUSTRIAL IS PROHIBITED.	ID #:	0000388-03	STOCK PART #:	TR1/8	
	MATERIAL:	Steel, Mild			
DESCRIPTION: Trim Ring x 1/8					
FINISH:	Available in US26D or US10B finish.			# PCS:	1
				REV:	



CROWN INDUSTRIAL
 So. San Francisco, Ca
 (650) 952-5150
www.crown-industrial.com

4

3

2

1